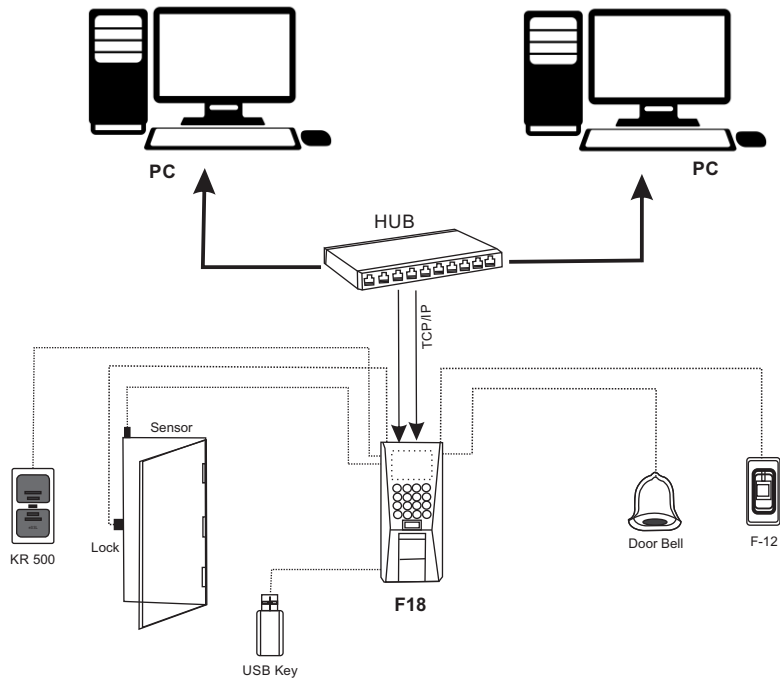
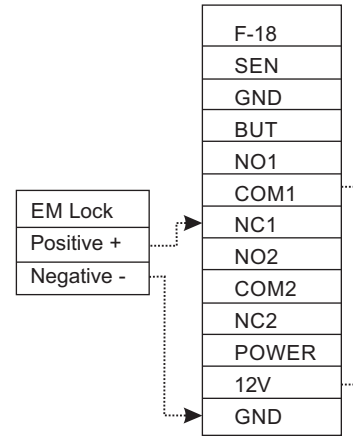


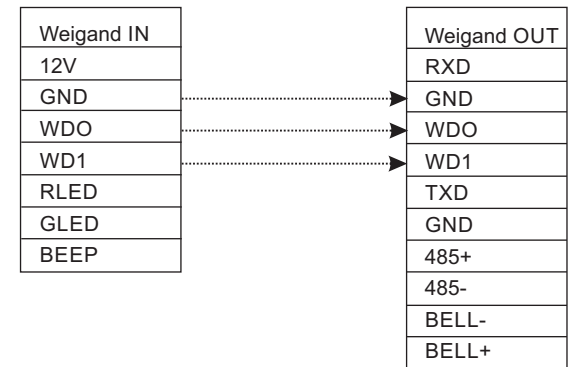
# F18 Connection Diagram



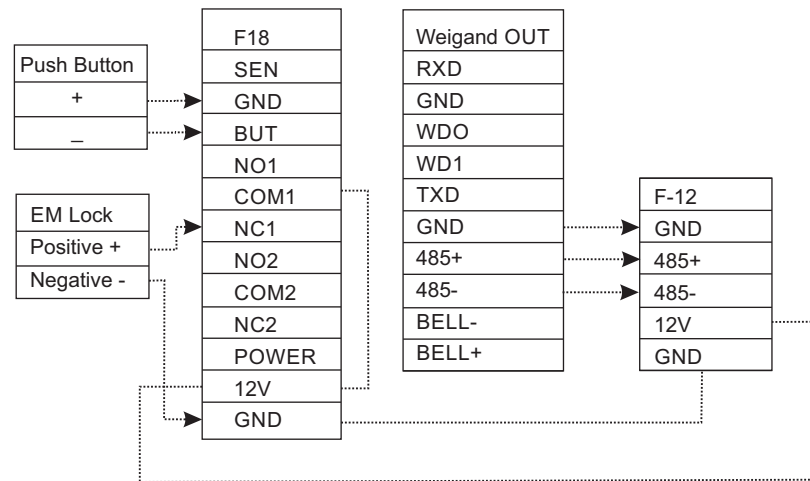
## F18 Master Device



## F18 Slave Device



## F18 with F-12 and EM Lock connection



## F18 with KR 500 and EM Lock Connection

